

Canon

EOS 3

REF.NO.C12-8361

**SEMI HARD CASE EHII-L
EHII-LL**

C46-2021

C46-2022

NECK STRAP L3

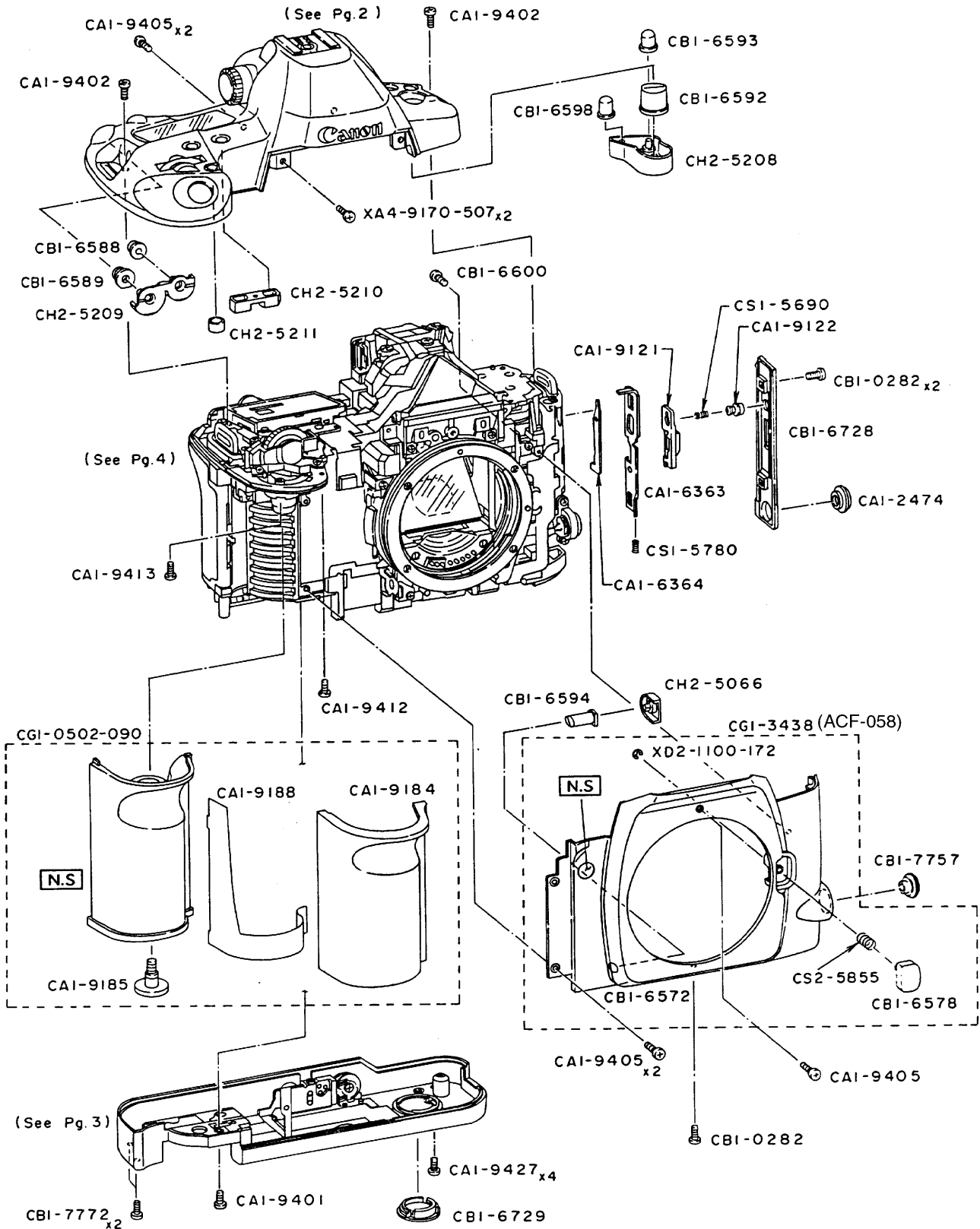
C56-1462

HAND STRAP E1

C56-1441

PARTS CATALOG

CANON EOS-3

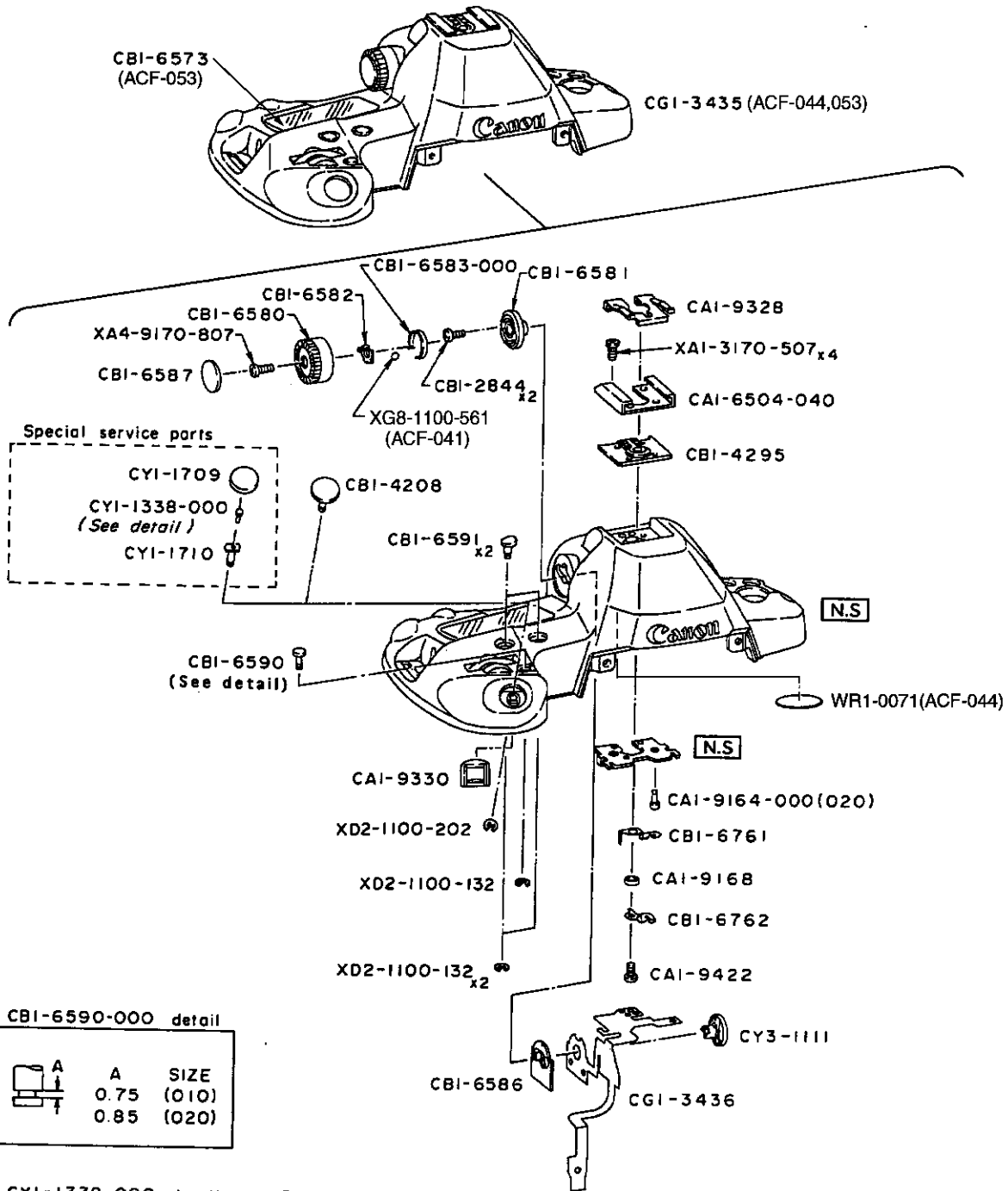


PARTS LIST

REF.No.C12-8361

NEW	PARTS NO.	CLASS	QTY	DESCRIPTION
	CA1-2474-000	A	1	CAP, P.C. TERMINAL
	CA1-6363-000	E	1	HOOK
	CA1-6364-000	E	1	LEVER, LOCK
	CA1-9121-000	D	1	LEVER, LATCH
	CA1-9122-000	E	1	BUTTON, LATCH
	CA1-9184-000	E	1	COVERING, GRIP
	CA1-9185-000		1	SCREW
	CA1-9188-000	E	1	TAPE, DOUBLE SIDED
	CA1-9401-000		1	SCREW
	CA1-9402-000		2	SCREW
	CA1-9405-000		5	SCREW
	CA1-9412-000		1	SCREW
	CA1-9413-000		1	SCREW
	CA1-9427-000		4	SCREW
	CB1-0282-000		3	SCREW
	CB1-6572-000	C	1	COVER, FRONT
	CB1-6578-000	C	1	BUTTON, UNLOCK
	CB1-6588-000	C	1	BUTTON, AE-L
	CB1-6589-000	C	1	BUTTON, AF-SEL
	CB1-6592-000	C	1	BUTTON, MODE1
	CB1-6593-000	C	1	BUTTON, MODE2
	CB1-6594-000	C	1	BUTTON, PV
	CB1-6598-000	C	1	BUTTON, MODE3
	CB1-6600-000		1	SCREW
	CB1-6728-000	D	1	COVER, LATCH
	CB1-6729-000	B	1	CAP, COUPLER
	CB1-7757-000	A	1	CAP, REMOTE
	CB1-7772-000		2	SCREW
	CG1-0502-000	C	1	GRIP UNIT
	CG1-3438-000	C	1	FRONT COVER UNIT
	CH2-5066-000	D	1	SWITCH, STOP-DOWN
	CH2-5208-000	D	1	SWITCH, MODE
	CH2-5209-000	D	1	SWITCH, AV-AF
	CH2-5210-000	D	1	SWITCH, LAMP-AJ
	CH2-5211-000	D	1	SWITCH, FE-L
	CS1-5690-000	D	1	SPRING, COIL
	CS1-5780-000	D	1	SPRING, COIL
	CS2-5855-000	E	1	SPRING, MIF UNLOCK
	XA4-9170-507		2	SCREW
	XD2-1100-172		1	RING, RETAINING(E-TYPE), M1.7

CANON EOS-3



CBI-6590-000 detail

	A	SIZE
	0.75	(010)
	0.85	(020)

CYI-1338-000 detail ⊗STANDARD

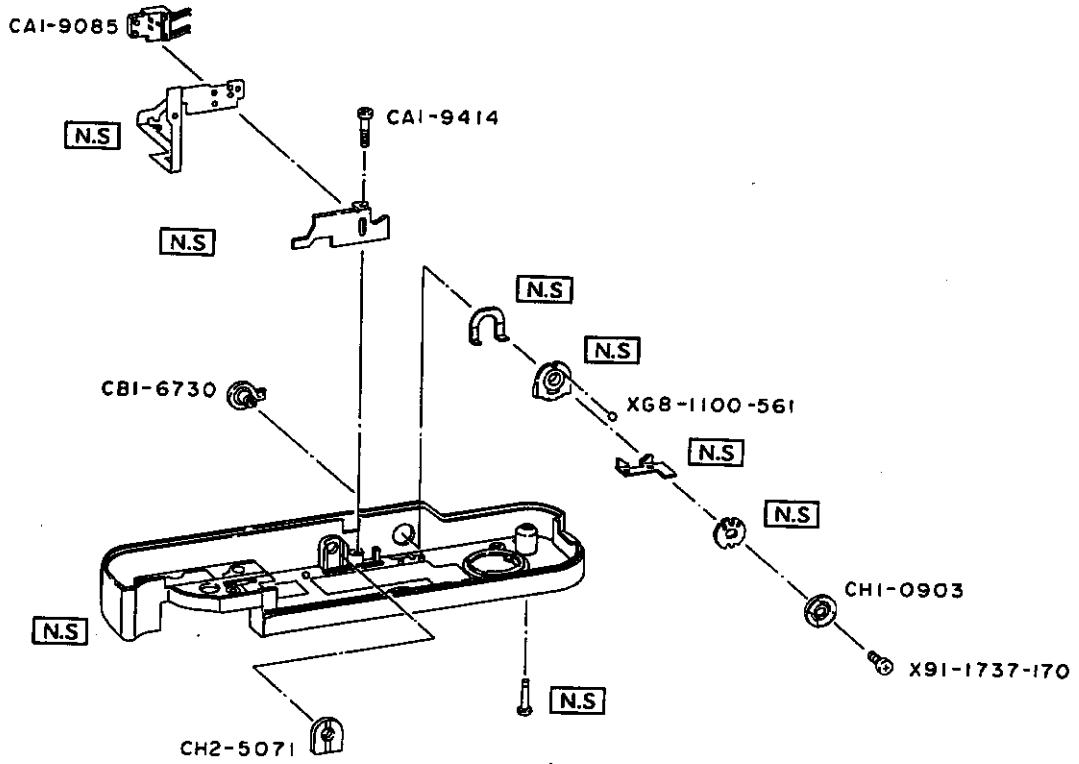
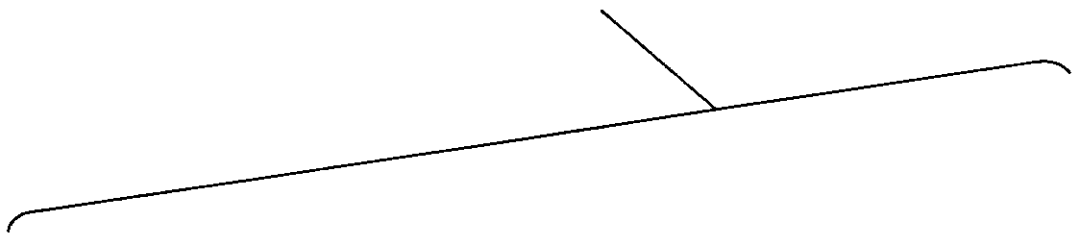
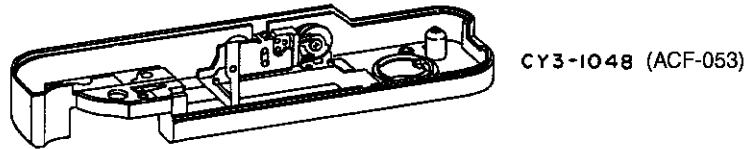
	A	B	SIZE	A	B	SIZE	A	B	SIZE	A	B	SIZE
		2.8mm	(001)		2.8mm	(004)		2.8mm	(007)		2.8mm	(010)
	1.0mm	3.0mm	(002)	1.5mm	3.0mm	(005)⊗	2.0mm	3.0mm	(008)	2.5mm	3.0mm	(011)
		3.2mm	(003)		3.2mm	(006)		3.2mm	(009)		3.2mm	(012)

PARTS LIST

REF.No.C12-8361

NEW	PARTS NO.	CLASS	QTY	DESCRIPTION
	CA1-6504-040	D	1	SHOE, ACCESSORY
	CA1-9164-000(020)	E	1	PIN, FLASH
	CA1-9168-000	D	1	SPACER, INSULATING
	CA1-9328-000	C	1	SPRING, PLATE(BL)
	CA1-9330-000	E	1	CAP, A
	CA1-9422-000		1	SCREW
	CB1-2844-000		2	SCREW
	CB1-4208-000	C	1	BUTTON, PELEASE
	CB1-4295-000	D	1	BASE, ACC SHOE
	CB1-6573-000	C	1	WINDOW, OLC
	CB1-6580-000	D	1	DIAL, NAC-SWITCH
	CB1-6581-000	E	1	PLATE, NAC-SWITCH
	CB1-6582-000	E	1	PLATE, NAC-SWITCH CLICK
	CB1-6583-000	E	1	SPRING, NAC-SWITCH
	CB1-6586-000	E	1	PLATE, NAC-SWITCH FLEX
	CB1-6587-000	C	1	CAP, NAC-SWITCH DIAL
	CB1-6590-000(XXX)	D	1	BUTTON, FE-L
	CB1-6591-000	D	2	BUTTON, L-C
	CB1-6761-000	C	1	CONTACT, ACCESSORY
	CB1-6762-000	C	1	CONTACT, ACCESSORY X
3	CG1-3435-000	C	1	TOP COVER UNIT
	CG1-3436-000	E	1	TOP COVER MODULE UNIT
	CY1-1338-000(XXX)	D	1	SHAFT, ADJUSTING
	CY1-1709-000	C	1	BUTTON, RELEASE
	CY1-1710-000	D	1	SHAFT, RELEASE BUTTON
	CY3-1111-000	D	1	NAC SW CONTACT ASS'Y
	WR1-0071-000	E	1	BEEPER
	XA1-3170-507		4	SCREW
	XA4-9170-807		1	SCREW
	XD2-1100-132		3	WASHER, RETAINING 1.3MM
	XD2-1100-202		1	WASHER, RETAINING(SUS)
	XG8-1100-561		1	BALL, STEEL

CANON EOS-3

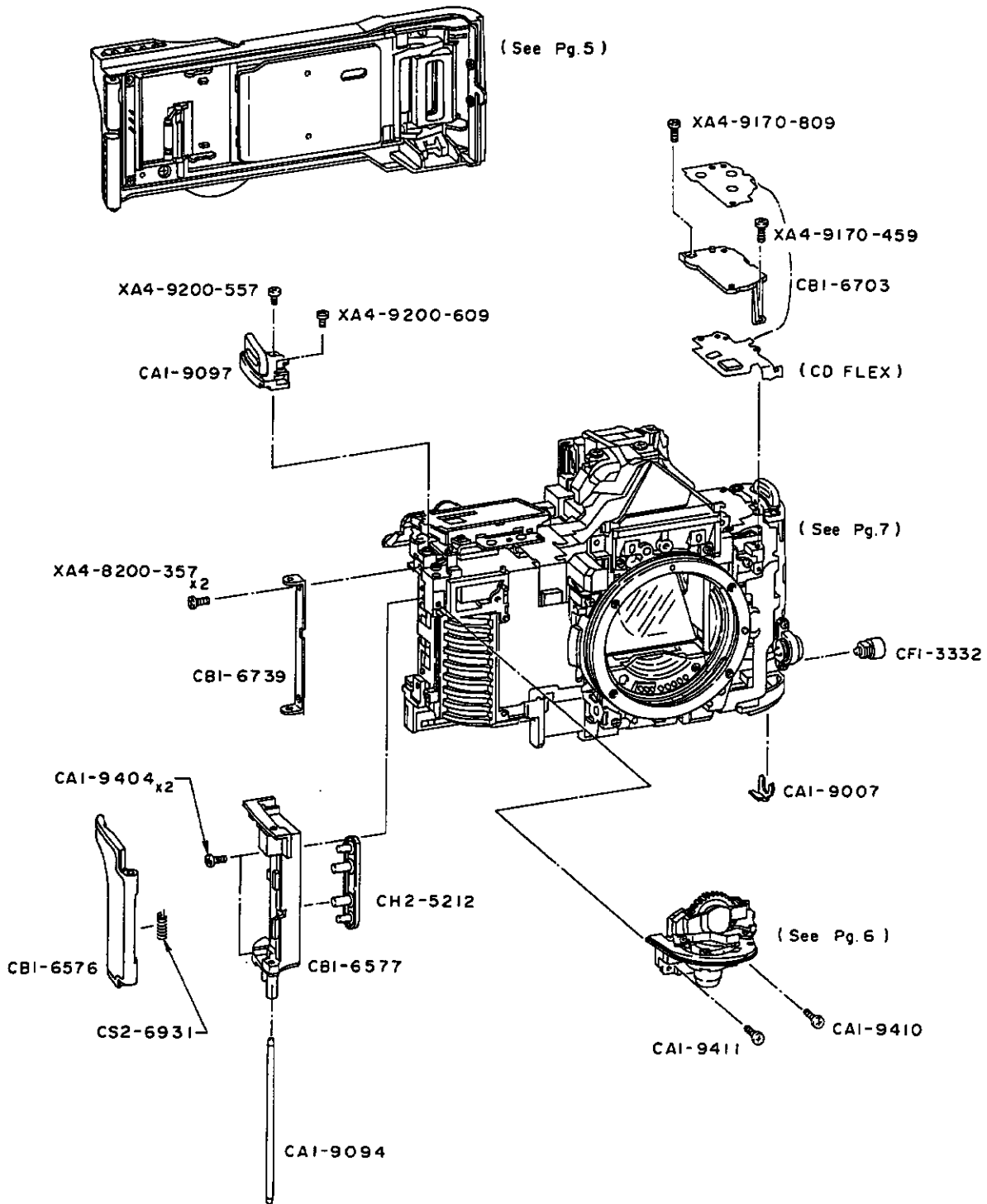


PARTS LIST

REF.No.C12-8361

NEW	PARTS NO.	CLASS	QTY	DESCRIPTION
	CA1-9085-000	D	1	CONTACT, MAIN SWITCH
	CA1-9414-000		1	SCREW
	CB1-6730-000	D	1	LEVER, MAIN SWITCH
	CH1-0903-000	D	1	BOARD, MAIN SWITCH
	CH2-5071-000	E	1	SWITCH, REWIND
	CY3-1048-000	D	1	BOTTOM COVER UNIT
	X91-1737-170		1	SCREW
	XG8-1100-561		1	BALL, CLICK

CANON EOS-3

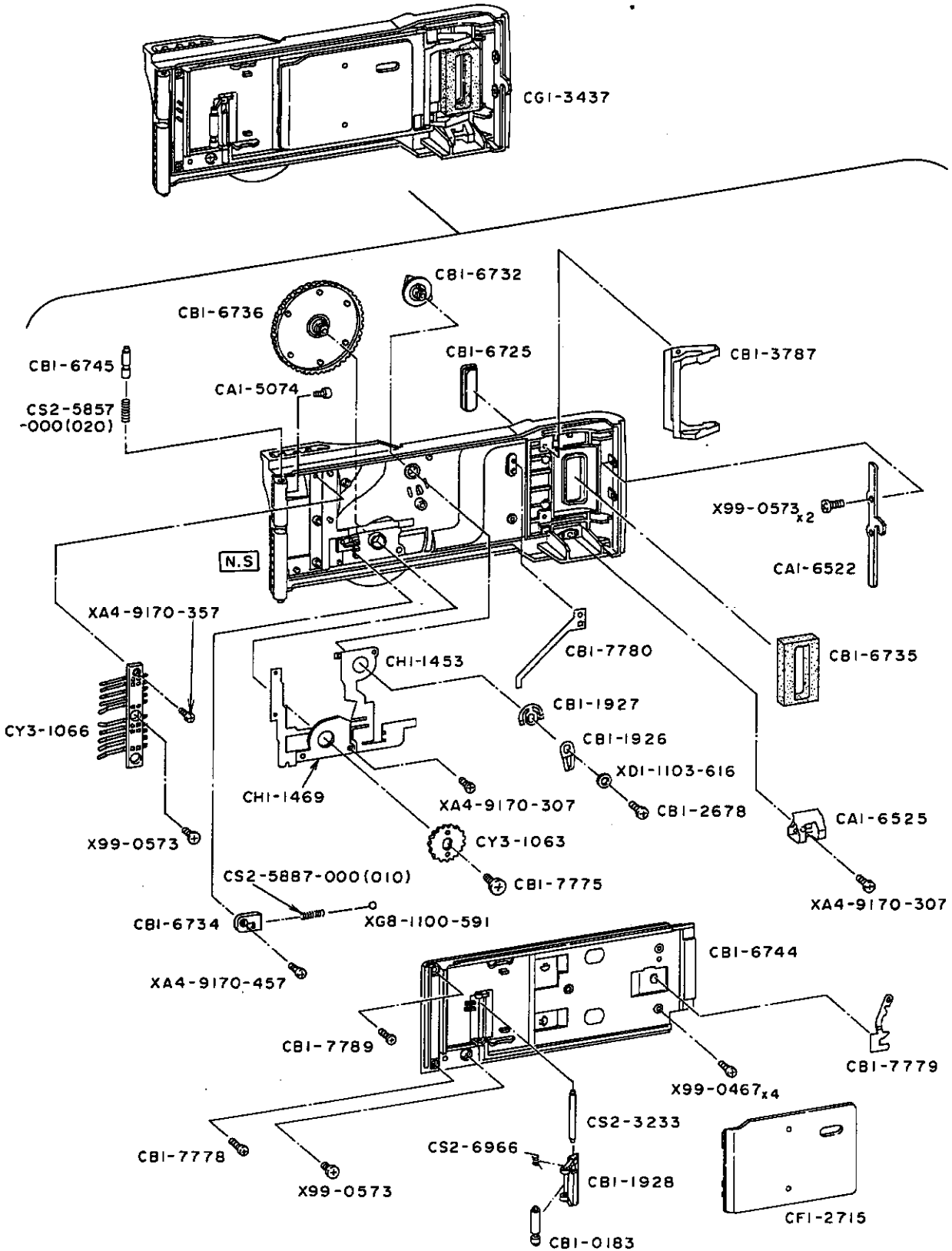


PARTS LIST

REF.No.C12-8361

NEW	PARTS NO.	CLASS	QTY	DESCRIPTION
	CA1-9007-000	D	1	RING, PC RETAINER
	CA1-9094-000	E	1	SHAFT, PALM WING
	CA1-9097-000	C	1	LUG, NECK STRAP(RIGHT)
	CA1-9404-000		2	SCREW
	CA1-9410-000		1	SCREW
	CA1-9411-000		1	SCREW
	CB1-6576-000	C	1	WING, PARM
	CB1-6577-000	E	1	HOLDER, SWITCH
	CB1-6703-000	E	1	BASE, MODE SWITCH
	CB1-6739-000	E	1	SHAFT, BACK COVER
	CF1-3332-000	C	1	TERMINAL, PC
	CH2-5212-000	D	1	SWITCH, PERM
	CS2-6931-000	D	1	SPRING, COIL
	XA4-8200-357		2	SCREW
	XA4-9170-459		1	SCREW
	XA4-9170-809		1	SCREW
	XA4-9200-557		1	SCREW
	XA4-9200-609		1	SCREW

CANON EOS-3

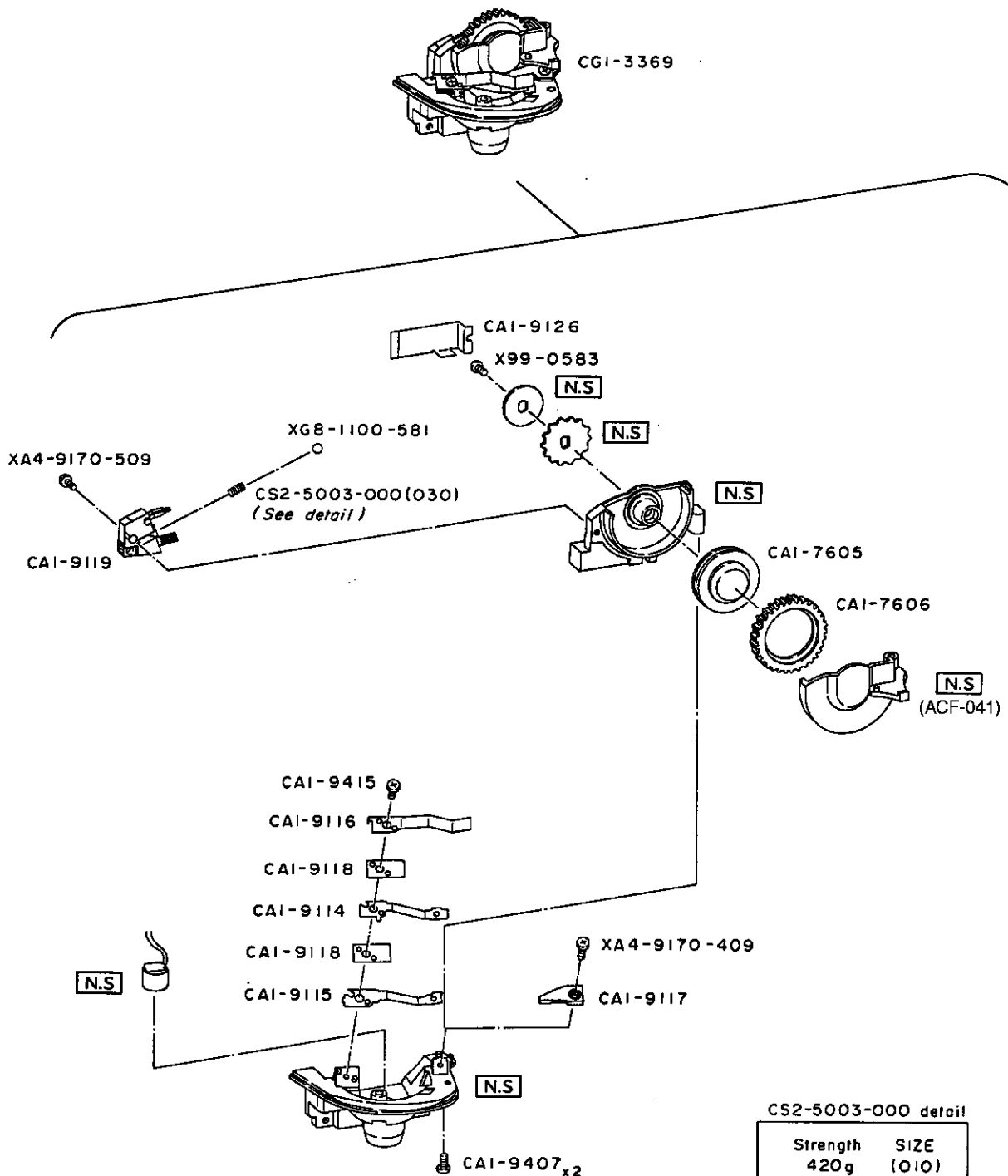


PARTS LIST

REF.No.C12-8361

NEW	PARTS NO.	CLASS	QTY	DESCRIPTION
	CA1-5074-000		1	SCREW, STOPPER
	CA1-6522-000	E	1	CLAW, BACK COVER
	CA1-6525-000	E	1	PLATE, SPRING
	CB1-0183-000	D	1	ROLLER-1, BACK COVER GUIDE
	CB1-1926-000	E	1	DETENT, DIAL
	CB1-1927-000	E	1	CONTACT, DIAL LOCK SWITCH
	CB1-1928-000	E	1	HOLDER, ROLLER
	CB1-2678-000		1	SCREW
	CB1-3787-000	E	1	SPRING, CARTRIDGE
	CB1-6725-000	E	1	GLASS, DX WINDOW
	CB1-6732-000	E	1	LEVER, BACK DIAL SWITCH
	CB1-6734-000	E	1	HOLDER, CLICK
	CB1-6735-000	E	1	SHIELD, LIGHT
	CB1-6736-000	E	1	DIAL, BACK COVER
	CB1-6744-000	E	1	COVER, BACK INNER
	CB1-6745-000	E	1	SHAFT, MOVING
	CB1-7775-000		1	SCREW
	CB1-7778-000		1	SCREW
	CB1-7779-000	E	1	PLATE, GND
	CB1-7780-000	E	1	PLATE, GND2
	CB1-7789-000		1	SCREW
	CF1-2715-000	D	1	PLATE, PRESSURE
	CG1-3437-000	C	1	BACK COVER UNIT
	CH1-1453-000	E	1	BP FLEX ASS'Y
	CH1-1469-000	E	1	BACK DIAL PCB
	CS2-3233-000	E	1	SHAFT, ROLLER HOLDER
	CS2-5857-000(XXX)	E	1	SPRING, B-H
	CS2-5887-000(010)	E	1	SPRING, CLICK
	CS2-6966-000	E	1	SPRING, ROLLER
	CY3-1063-000	E	1	CONTACT, DIAL ASS'Y
	CY3-1066-000	E	1	PIN, CONTACTS ASS'Y
	X99-0467-000		4	SCREW
	X99-0573-000		4	SCREW
	XA4-9170-307		2	SCREW
	XA4-9170-357		1	SCREW
	XA4-9170-457		1	SCREW
	XD1-1103-616		1	WASHER
	XG8-1100-591		1	BALL, STEEL

CANON EOS-3



CS2-5003-000 detail

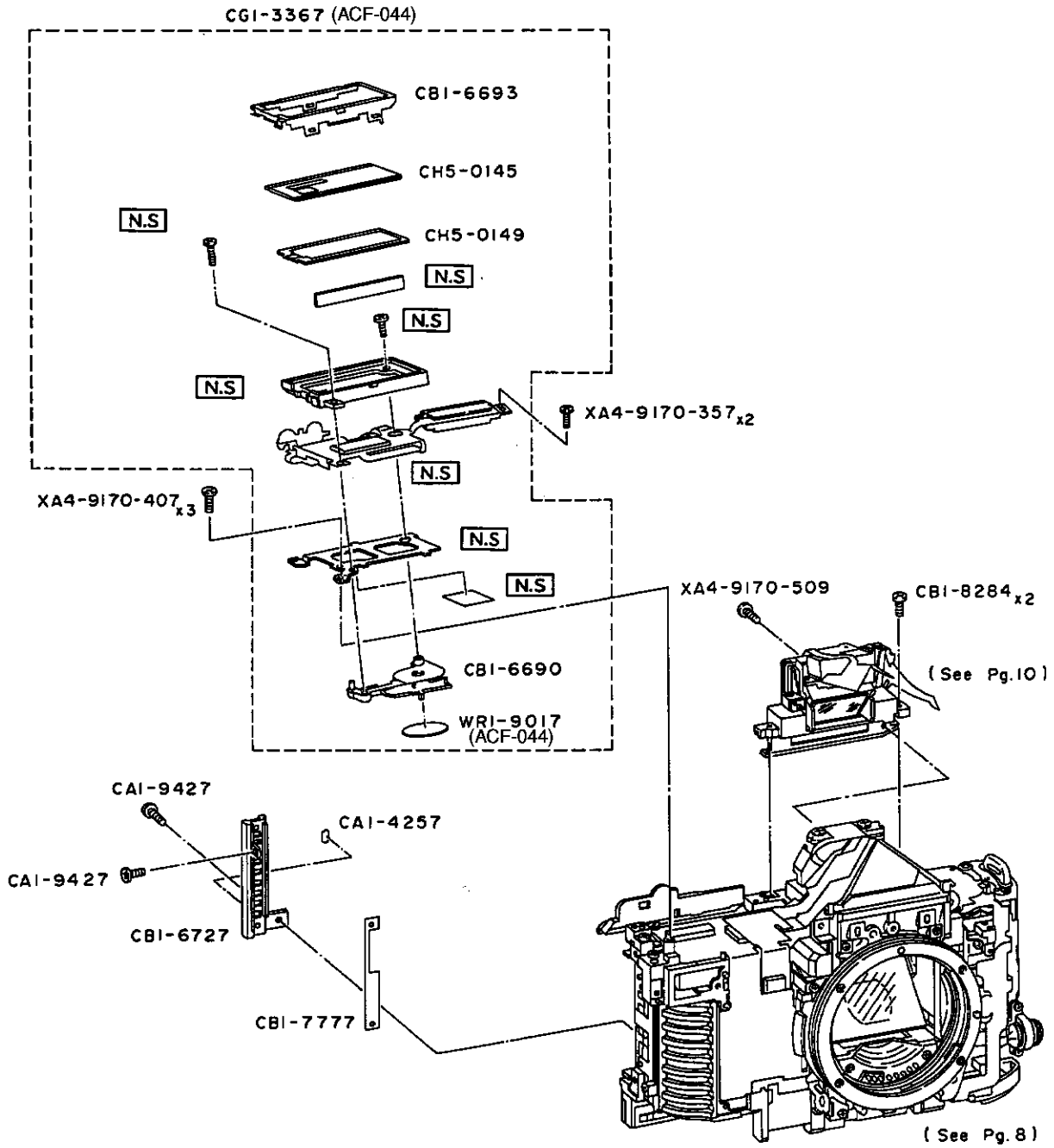
Strength	SIZE
420g	(O10)
340g	(O20)
300g	(O30)

PARTS LIST

REF.No.C12-8361

NEW	PARTS NO.	CLASS	QTY	DESCRIPTION
	CA1-7605-000	E	1	DIAL, MODE CHANGE
	CA1-7606-000	D	1	RING, DIAL
	CA1-9114-000	D	1	CONTACT, RELEASE SWITCH-1
	CA1-9115-000	D	1	CONTACT, RELEASE SWITCH-2
	CA1-9116-000	D	1	CONTACT, RELEASE GROUND
	CA1-9117-000	E	1	PLATE, RELEASE STOPPER
	CA1-9118-000	D	2	SPACER, CONTACT
	CA1-9119-000	E	1	CONTACT, DIAL
	CA1-9126-000	D	1	COVER, DIAL CONTACT
	CA1-9407-000		2	SCREW
	CA1-9415-000		1	SCREW
	CG1-3369-000	D	1	DIAL UNIT
	CS2-5003-000(XXX)	E	1	SPRING, COIL
	X99-0583-000		1	SCREW
	XA4-9170-409		1	SCREW
	XA4-9170-509		1	SCREW
	XG8-1100-581		1	BALL, STEEL

CANON EOS-3

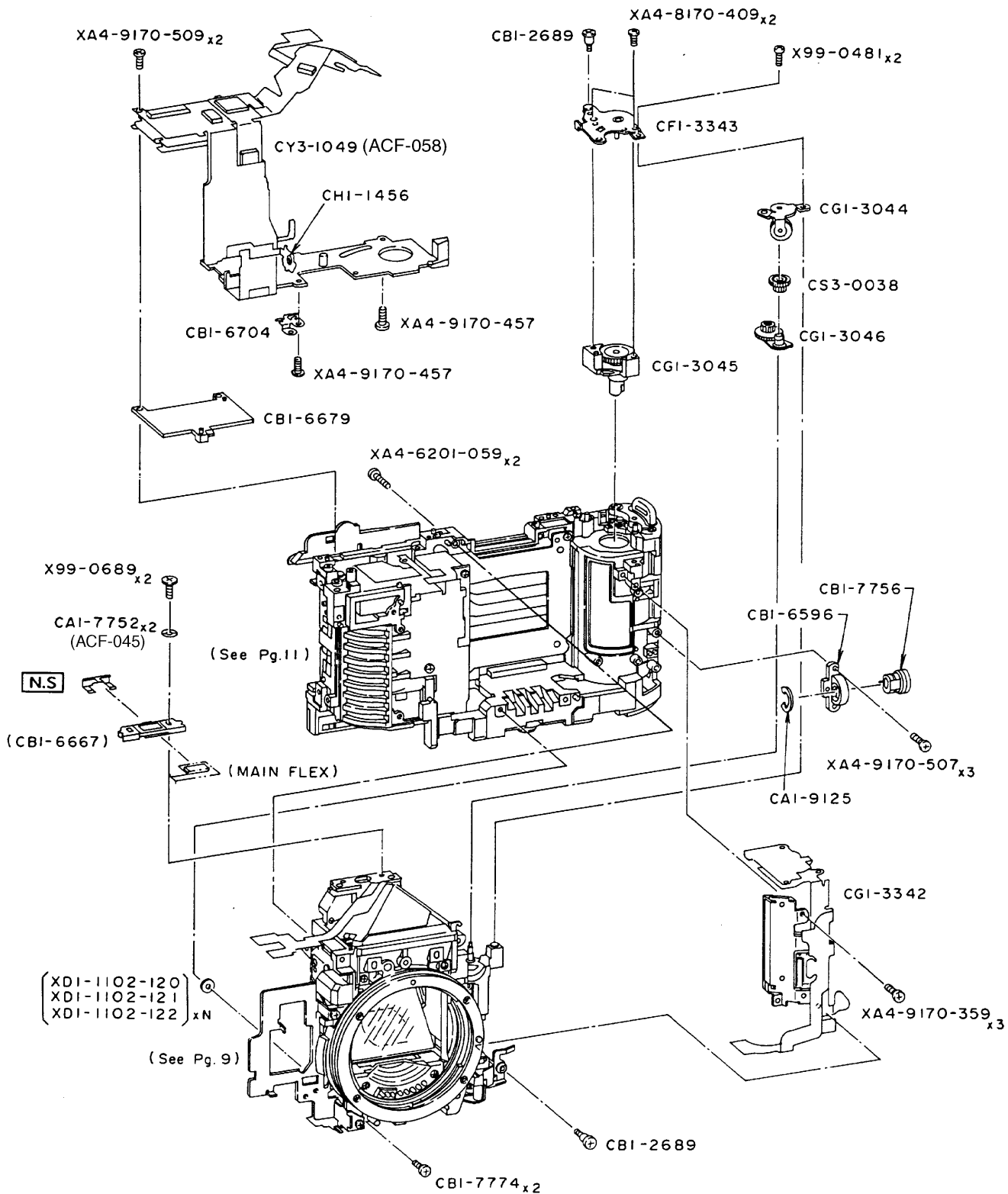


PARTS LIST

REF.No.C12-8361

NEW	PARTS NO.	CLASS	QTY	DESCRIPTION
	CA1-4257-000	E	1	SEAL, FILM
	CA1-9427-000	F	2	SCREW, CROSS-RECESS
	CB1-6690-000	E	1	CASE, BZ
	CB1-6693-000	E	1	FRAME, EXTERNAL LCD
	CB1-6727-000	E	1	COVER, BACK CONTACT
	CB1-7777-000		1	PLATE, BACK CONTACT
	CB1-8284-000		2	SCREW
	CG1-3367-000	D	1	DSP MODULE UNIT
	CH5-0145-000	D	1	LCD, EXTERNAL
	CH5-0149-000	E	1	ELECTRO LUMINESCENCE EL
	WR1-9017-000	E	1	BEEPER
	XA4-9170-357		2	SCREW
	XA4-9170-407		3	SCREW
	XA4-9170-509		1	SCREW

CANON EOS-3

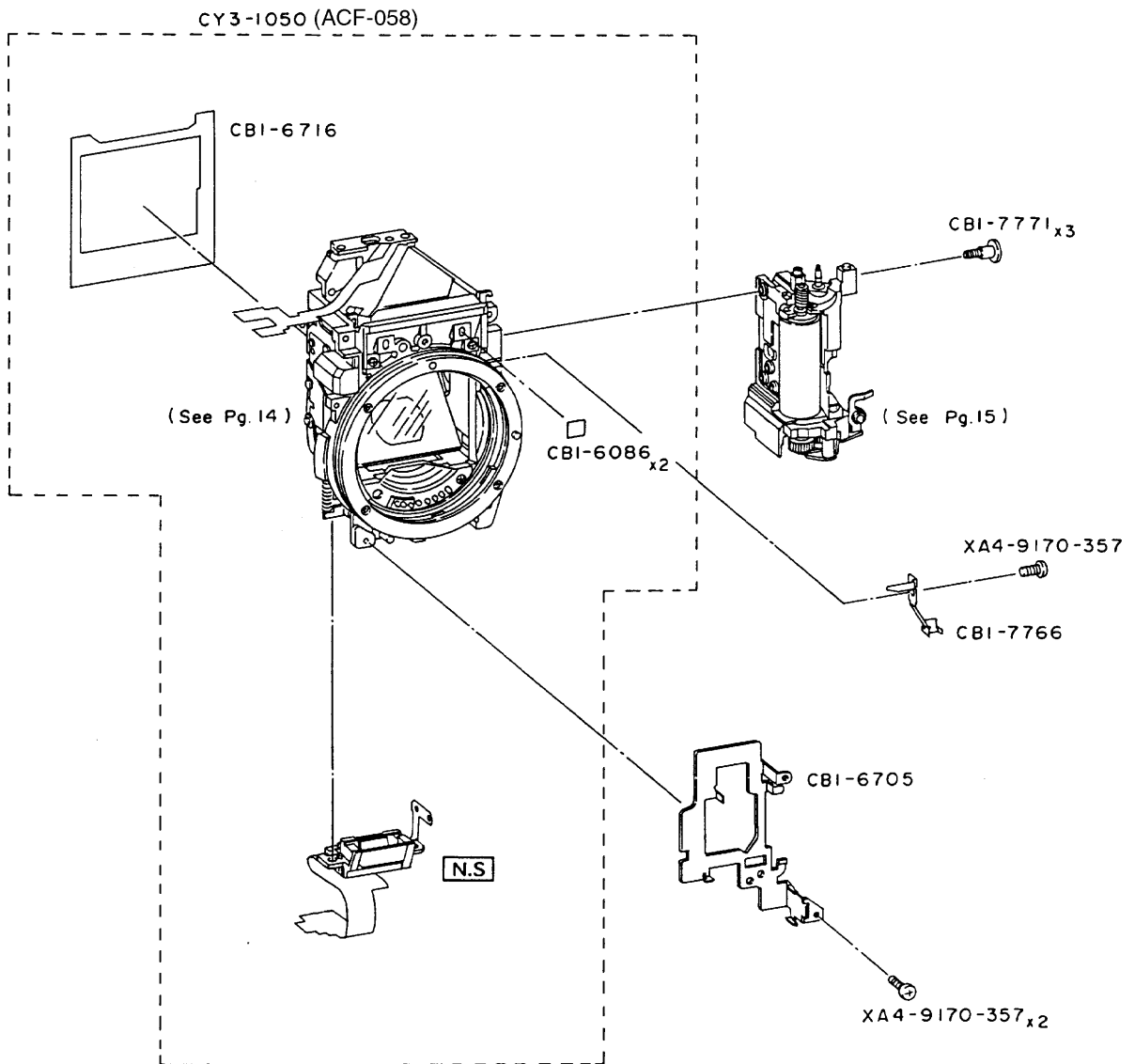


PARTS LIST

REF.No.C12-8361

NEW	PARTS NO.	CLASS	QTY	DESCRIPTION
	CA1-7752-000	E	2	WASHER, WAVE
	CA1-9125-000	C	1	RING, C
	CB1-2689-000		2	SCREW(S)
	CB1-6596-000	E	1	HOLDER, REMOTE
	CB1-6667-000	E	1	CASE, SPC
	CB1-6679-000	E	1	PLATE, CONNECTOR
	CB1-6704-000	E	1	PLATE, GND RAG
	CB1-7756-000	E	1	CONNECTOR, REMOTE
	CB1-7774-000	F	2	SCREW
	CF1-3343-000	E	1	FORK PRESSURE UNIT
	CG1-3044-000	D	1	REWIND WORM GEAR UNIT
	CG1-3045-000	D	1	FORK GEAR UNIT
	CG1-3046-000	D	1	REWIND PLANETARY GEAR UNIT
	CG1-3342-000	D	1	DX UNIT
	CH1-1456-000	D	1	STOP DOWN FLEX
	CS3-0038-000	D	1	GEAR, REWIND SUN
	CY3-1049-000		1	PCB ASS'Y, MAIN
	X99-0481-000		2	SCREW
	X99-0689-000		2	SCREW
	XA4-6201-059		2	SCREW
	XA4-8170-409		2	SCREW
	XA4-9170-359		3	SCREW
	XA4-9170-457		2	SCREW
	XA4-9170-507		3	SCREW
	XA4-9170-509		2	SCREW
	XD2-1102-120	N		WASHER, COM 0.05mm
	XD2-1102-121	N		SHIM WASHER 0.1mm
	XD2-1102-122	N		SHIM WASHER 0.2mm

CANON EOS-3

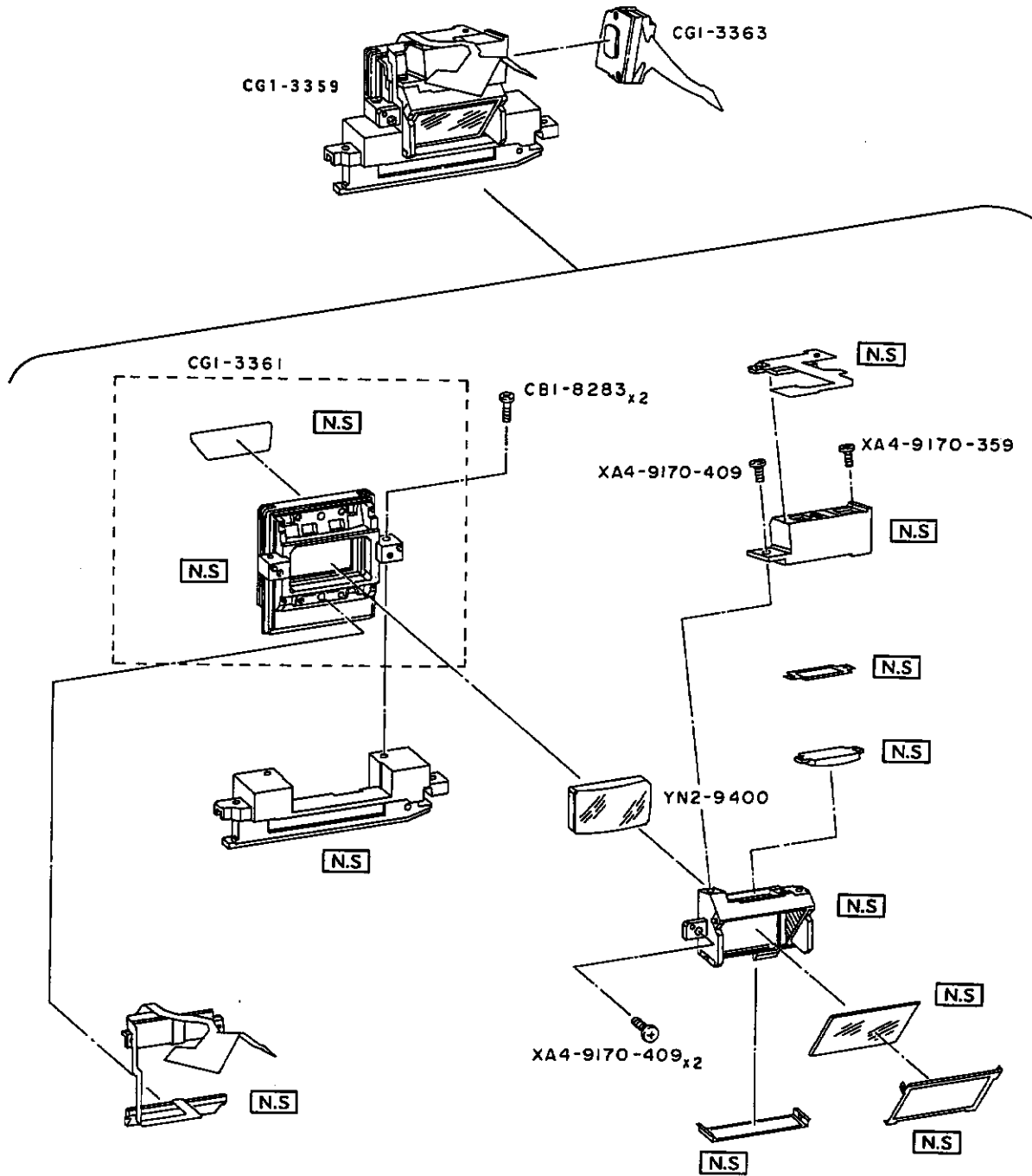


PARTS LIST

REF.No.C12-8361

NEW	PARTS NO.	CLASS	QTY	DESCRIPTION
	CB1-6086-000	E	2	FINDER COVER TAPE
	CB1-6705-000	E	1	PLATE, WING
	CB1-6716-000	E	1	SHIELD, LIGHT CURTAIN
	CB1-7766-000	E	1	PLATE, RAG-GND
	CB1-7771-000		3	SCREW
	CY3-1050-000	C	1	FRONT PANEL UNIT
	XA4-9170-357		3	SCREW

CANON EOS-3

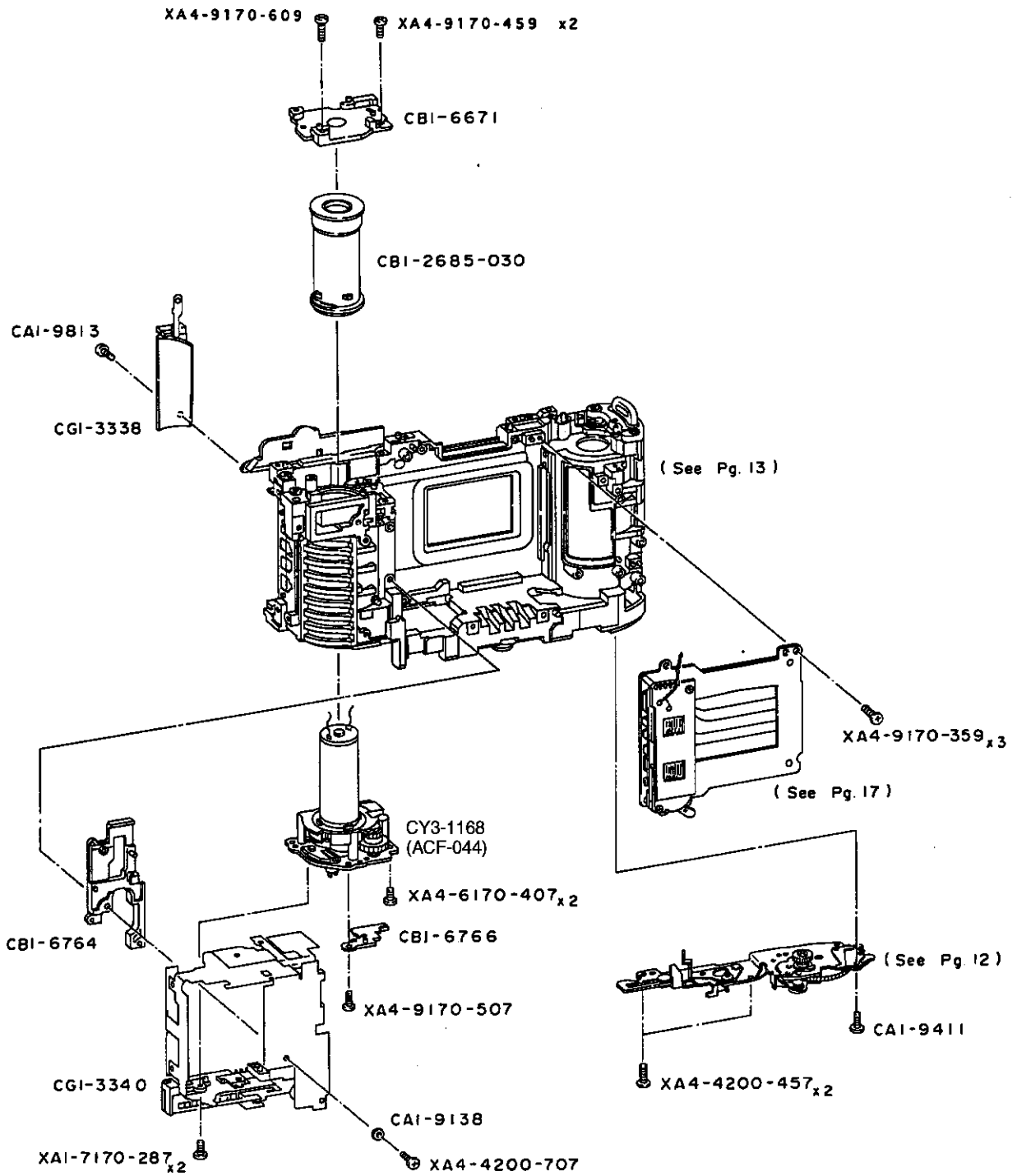


PARTS LIST

REF.No.C12-8361

NEW	PARTS NO.	CLASS	QTY	DESCRIPTION
	CB1-8283-000	F	2	SCREW
	CG1-3359-000	D	1	ECF SENSOR UNIT
	CG1-3361-000	E	1	EYE PIEASE HOLDER UNIT
	CG1-3363-000	D	1	SLC UNIT
	XA4-9170-359		1	SCREW
	XA4-9170-409		3	SCREW
	YN2-9400-000	E	1	LENS, EYE PIEASE2

CANON EOS-3

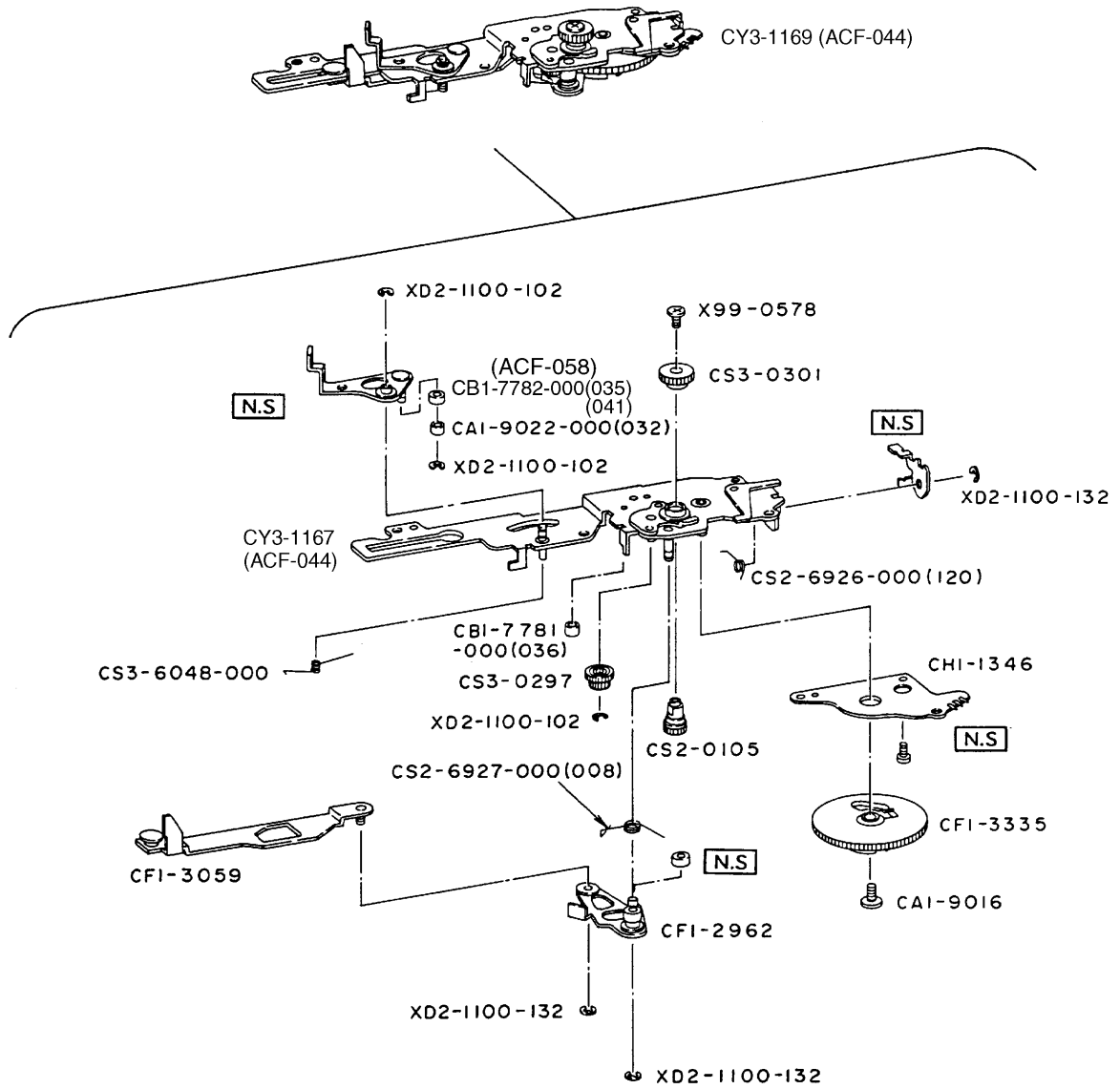


PARTS LIST

REF.No.C12-8361

NEW	PARTS NO.	CLASS	QTY	DESCRIPTION
	CA1-9138-000	E	1	WASHER, DC/DC
	CA1-9411-000		1	SCREW
	CA1-9813-000		1	SCREW
	CB1-2685-030	E	1	SPOOL
	CB1-6671-000	E	1	BASE, FILM
	CB1-6764-000	E	1	HOLDER, DC/DC
	CB1-6766-000	E	1	BASE, PDB CONNECT
	CG1-3338-000	E	1	FILM LODING SENSOR UNIT
	CG1-3340-000	E	1	CONNECTOR, SYSTEM ASS'Y
	CY3-1168-000	E	1	FILM ADVANCE UNIT
	XA1-7170-287		2	SCREW
	XA4-4200-457		2	SCREW
	XA4-4200-707		1	SCREW
	XA4-6170-407		2	SCREW
	XA4-9170-359		3	SCREW
	XA4-9170-459		2	SCREW
	XA4-9170-507		1	SCREW
	XA4-9170-609		1	SCREW

CANON EOS-3

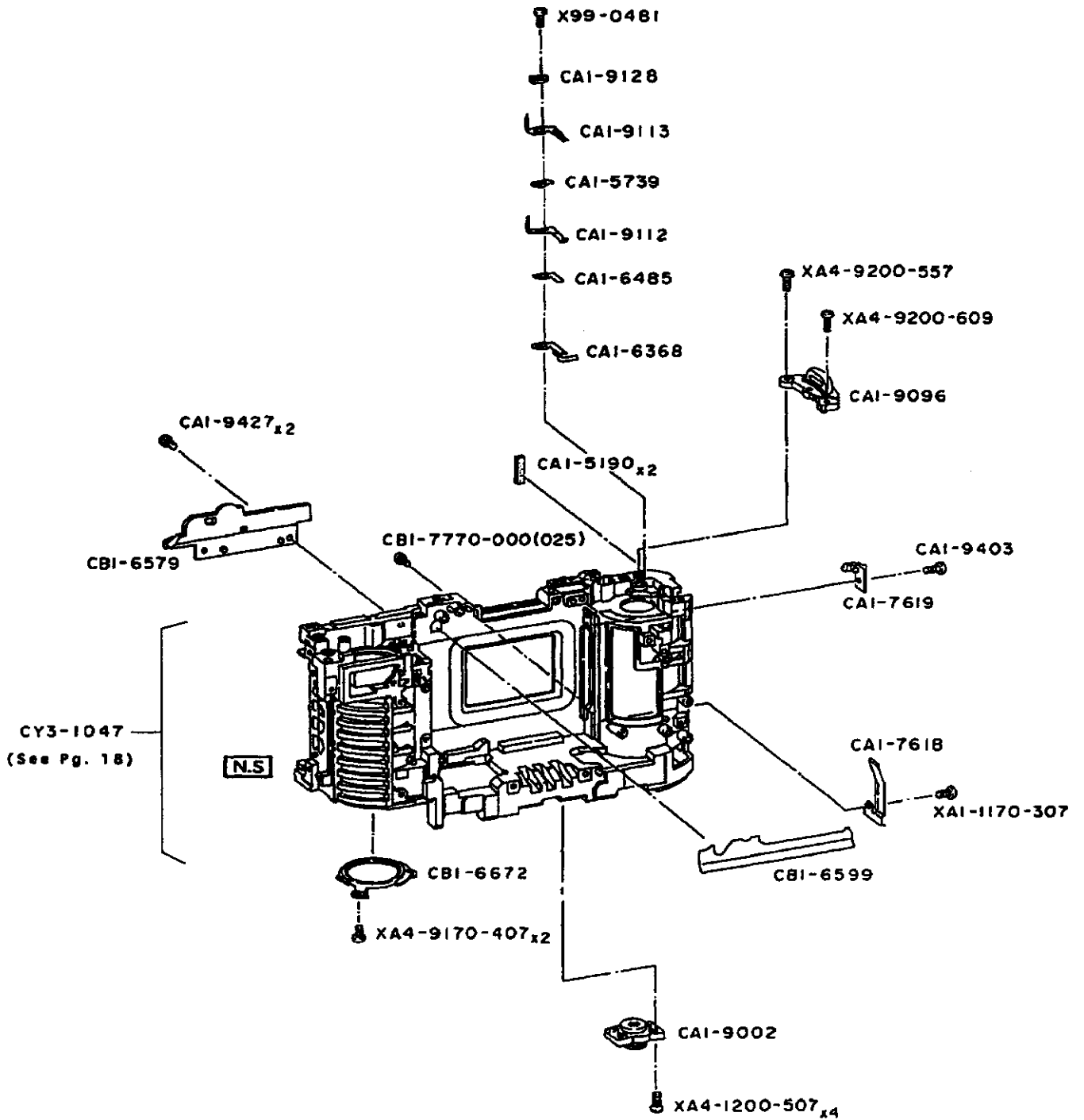


PARTS LIST

REF.No.C12-8361

NEW	PARTS NO.	CLASS	QTY	DESCRIPTION
	CA1-9016-000		1	SCREW
	CA1-9022-000(032)		1	WASHER, MC
	CB1-7781-000(036)	D	1	RUBBER, CGE STOPPER
	CB1-7782-000(035)(041)	E	1	RUBBER, MC STOPPER
	CF1-2962-000	E	1	CAM FOLLOWER UNIT
	CF1-3059-000	E	1	SHUTTER CHARGE LEVER UNIT
	CF1-3335-000	E	1	CAM GEAR UNIT
	CH1-1346-000	E	1	CHARGE PHASE PCB
	CS2-0105-000	E	1	GEAR, CHARGE2-1
	CS2-6926-000(120)	E	1	SPRING, RELEASE
	CS2-6927-000(008)		1	SPRING
	CS3-0297-000	E	1	GEAR, CHARGE1
	CS3-0301-000	E	1	GEAR, CHARGE2-2
	CS3-6048-000	E	1	SPRING, MC LEVER
	CY3-1167-000	E	1	CHARGE BASE UNIT
	CY3-1169-000	E	1	CHARGE UNIT
	X99-0578-000		1	SCREW
	XD2-1100-102		3	E RING(SUS)
	XD2-1100-132		3	WASHER, RETAINING 1.3MM

CANON EOS-3

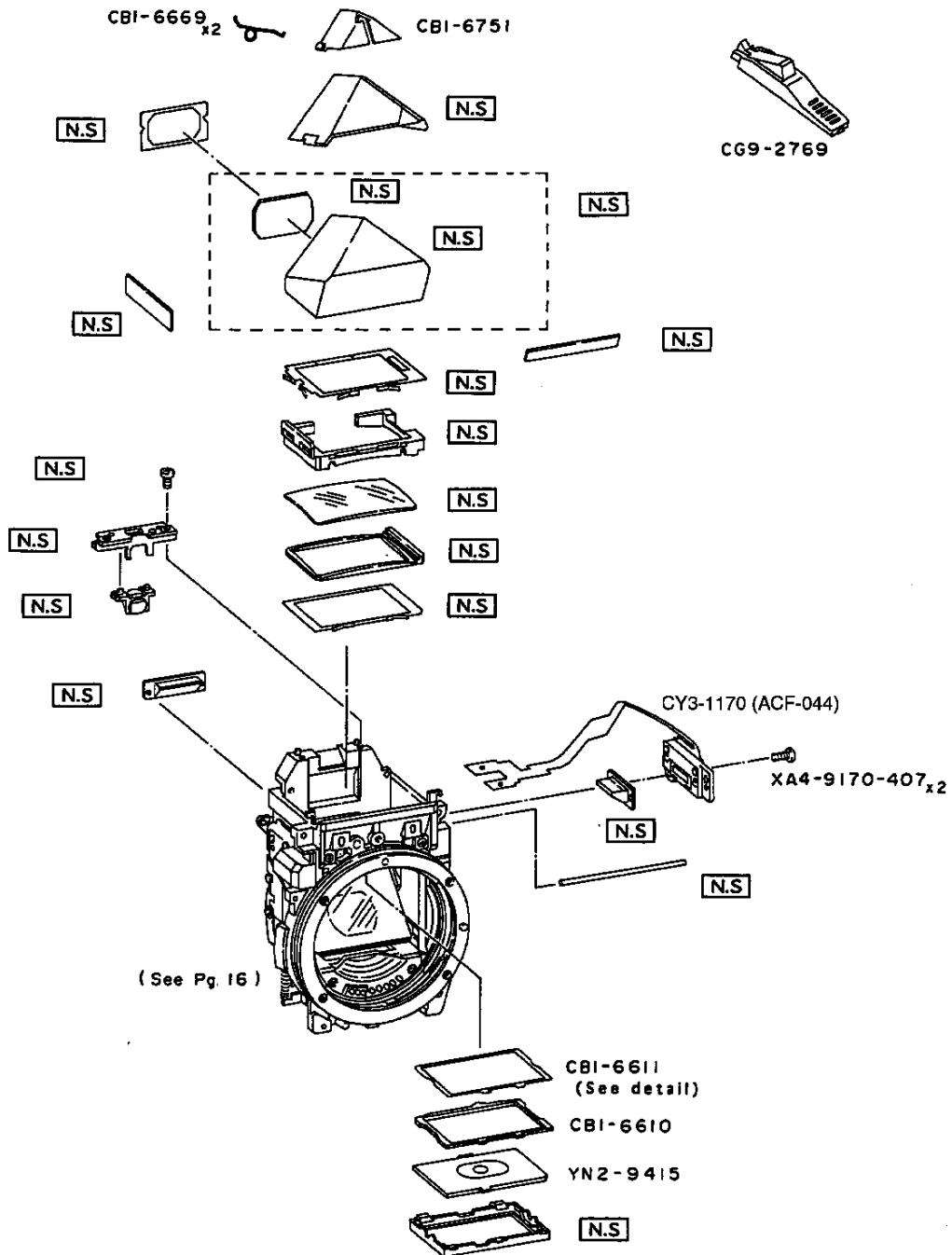


PARTS LIST

REF.No.C12-8361

NEW	PARTS NO.	CLASS	QTY	DESCRIPTION
	CA1-5190-000	C	2	SHIELD, LIGHT
	CA1-5739-000	E	1	INSULATOR
	CA1-6368-000	E	1	PLATE, SAFETY LOCK
	CA1-6485-000	E	1	INSULATOR
	CA1-7618-000	E	1	SPRING, PLATE
	CA1-7619-000	E	1	HOLDER, CASSETTE
	CA1-9002-000	D	1	SOCKET, TRIPOD
	CA1-9096-000	D	1	HOLDER, STRAP(LEFT)
	CA1-9112-000	D	1	CONTACT, BACK COVER SWITCH
	CA1-9113-000	D	1	CONTACT, BACK COVER SW GND COP
	CA1-9128-000	D	1	SPACER
	CA1-9403-000		1	SCREW
	CA1-9427-000		2	SCREW
	CB1-6579-000	E	1	PANEL, BLIND
	CB1-6599-000	E	1	SHIELD, LIGHT
	CB1-6672-000	E	1	SHEET, SPOOL
	CB1-7770-000(025)	E	1	SHAFT,FILM GUIDE
	CY3-1047-000	E	1	BODY UNIT
	X99-0481-000		1	SCREW
	XA1-1170-307		1	SCREW
	XA4-1200-507		4	SCREW
	XA4-9170-407		2	SCREW
	XA4-9200-557		1	SCREW
	XA4-9200-609		1	SCREW

CANON EOS-3



CBI-6611-000 detail

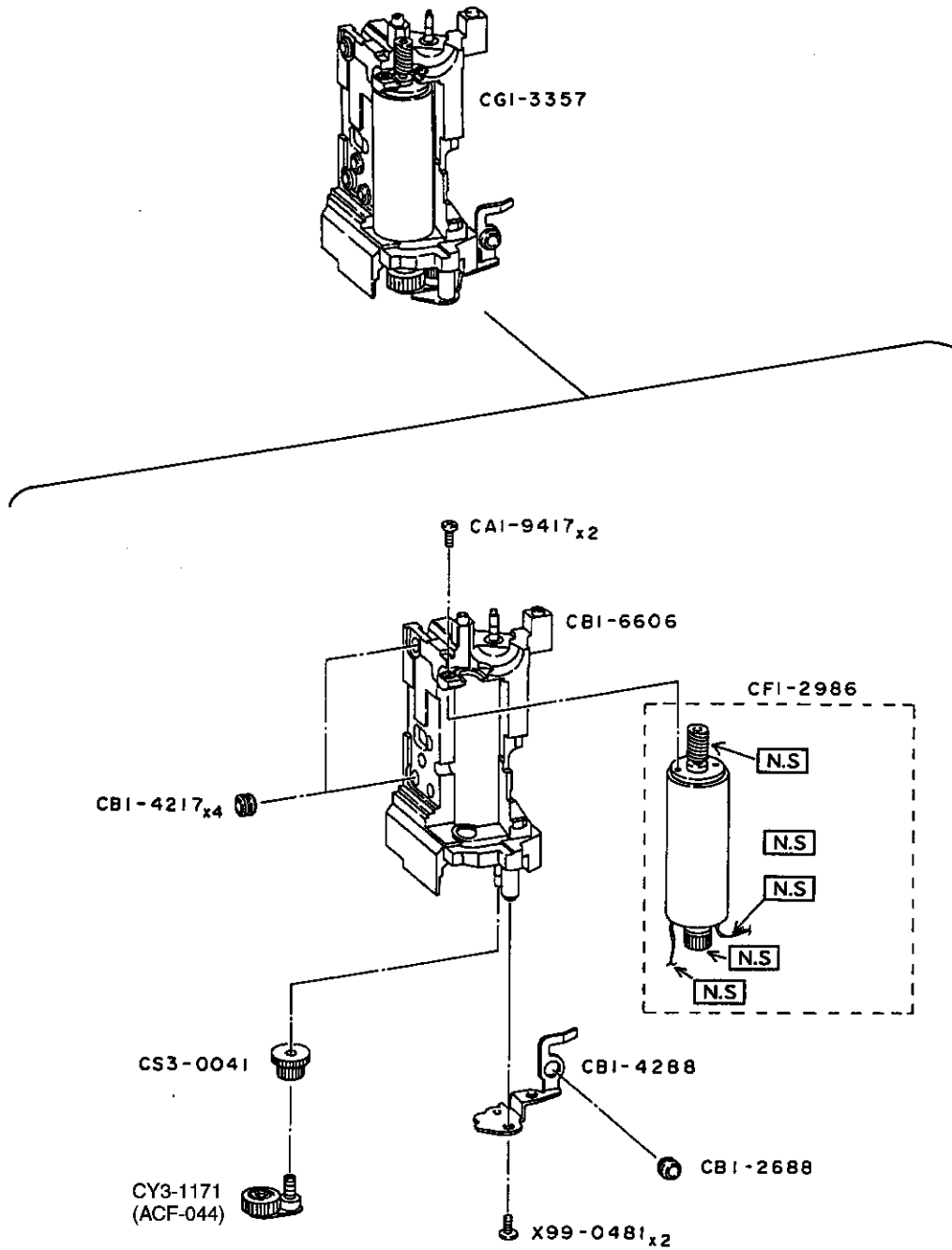
	A	SIZE	A	SIZE	A	SIZE
	0.03 mm	(003)	0.25 mm	(025)	0.50 mm	(050)
	0.05 mm	(005)	0.30 mm	(030)	0.55 mm	(055)
	0.10 mm	(010)	0.35 mm	(035)	0.60 mm	(060)
	0.15 mm	(015)	0.40 mm	(040)		
	0.20 mm	(020)	0.45 mm	(045)		

PARTS LIST

REF.No.C12-8361

NEW	PARTS NO.	CLASS	QTY	DESCRIPTION
	CB1-6610-000	E	1	SPACER, FOCUSING SCREEN
	CB1-6611-000(XXX)	E	1	WASHER, FOCUSING SCREEN
	CB1-6669-000	E	2	SPRING, PENTAPRIZM
	CB1-6751-000	E	1	COVER, PENTAPRIZM
	CG9-2769-000	E	1	TOOL, FOCUSING SCREEN
	CY3-1170-000	E	1	LCD UNIT
	XA4-9170-407		2	SCREW
	YN2-9415-000	C	1	SCREEN, FOCUSING(TYPE C)

CANON EOS-3

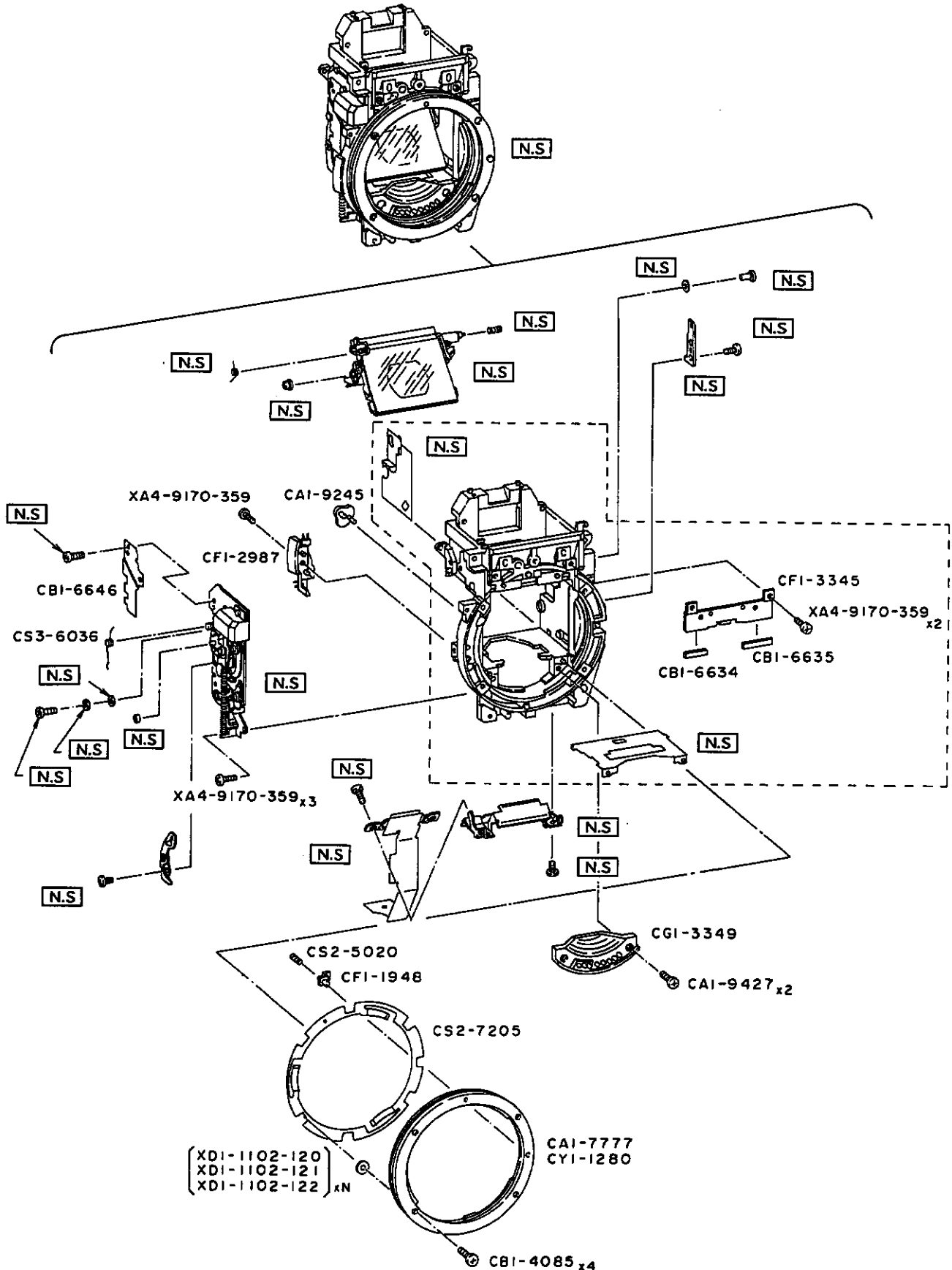


PARTS LIST

REF.No.C12-8361

NEW	PARTS NO.	CLASS	QTY	DESCRIPTION
	CA1-9417-000		2	SCREW
	CB1-2688-000	E	1	VIBRATION MOUNT
	CB1-4217-000	D	4	MOUNT, VIBRATION
	CB1-4288-000	E	1	PLATE, M2 GEAR
	CB1-6606-000	E	1	BASE, M2 MOTOR
	CF1-2986-000	E	1	MOTOR2 ASS'Y
	CG1-3357-000	D	1	MOTOR2 UNIT
	CS3-0041-000	E	1	GEAR, MOTOR2 SUN
	CY3-1171-000	E	1	MOTOR2 PLANETARY GEAR UNIT
	X99-0481-000		2	SCREW

CANON EOS-3

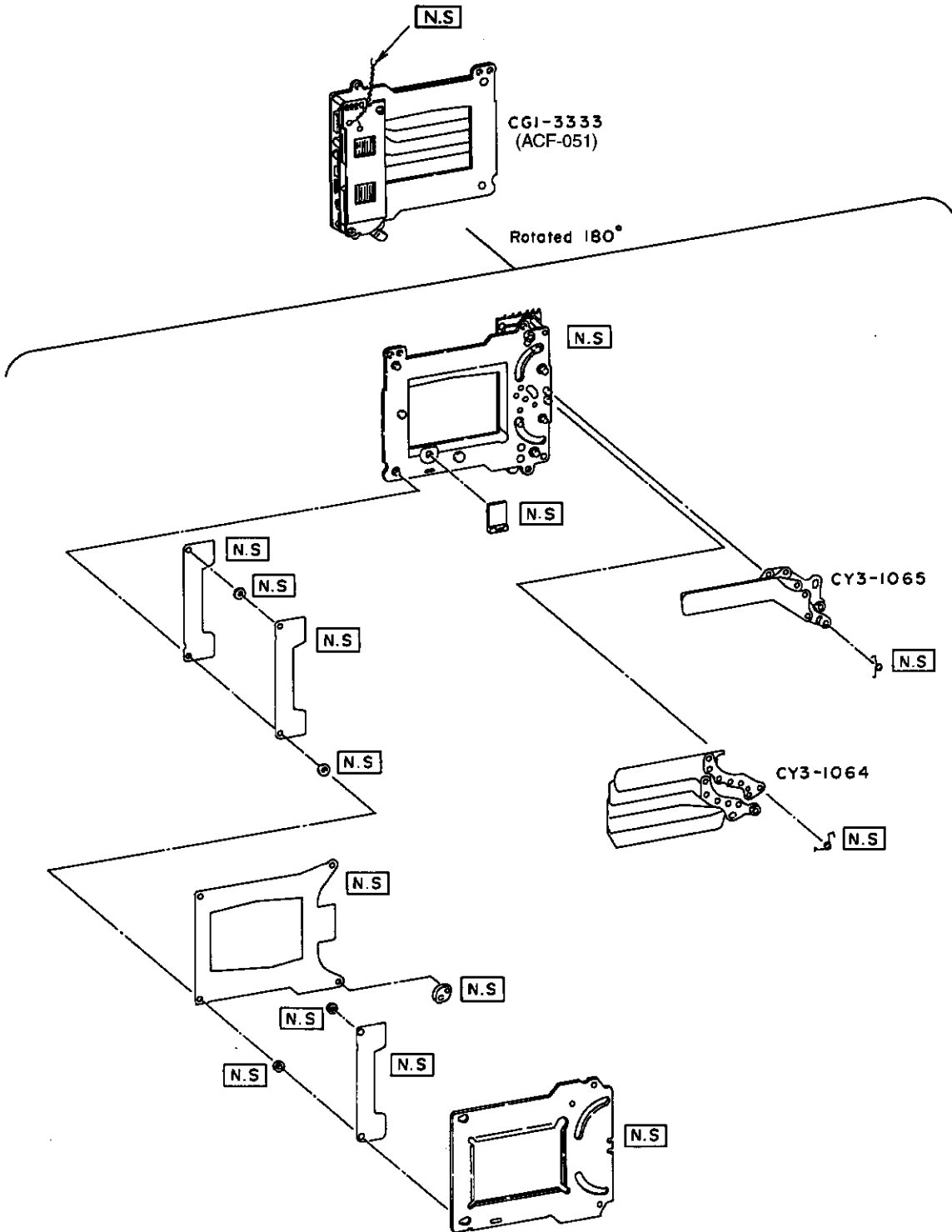


PARTS LIST

REF.No.C12-8361

NEW	PARTS NO.	CLASS	QTY	DESCRIPTION
	CA1-7777-000	C	1	MOUNT, BODY
	CA1-9245-000	E	1	LEVER, SENSOR
	CA1-9427-000		2	SCREW
	CB1-4085-000		4	SCREW
	CB1-6634-000	E	1	CUSHION, MIRROR1
	CB1-6635-000	E	1	CUSHION, MIRROR2
	CB1-6646-000	E	1	COVER, QUICK RETURN
	CF1-1948-000	E	1	LEVER, LENS LOCK
	CF1-2987-000	D	1	SWITCH, LENS
	CF1-3345-000	E	1	PLATE, LIGHT SHIELD ASS'Y
	CG1-3349-000	E	1	CONTACT, MOUNT ASSY
	CS2-5020-000	E	1	SPRING, COIL
	CS2-7205-000	D	1	SPRING, MOUNT
	CS3-6036-000	E	1	SPRING, MIRROR
	CY1-1280-000	E	1	MOUNT, BODY
	XA4-9170-359		6	SCREW
	XD1-1102-120	N		WASHER, COM 0.05mm
	XD1-1102-121	N		SHIM, WASHER 0.1mm
	XD1-1102-122	N		SHIM, WASHER 0.2mm

CANON EOS-3



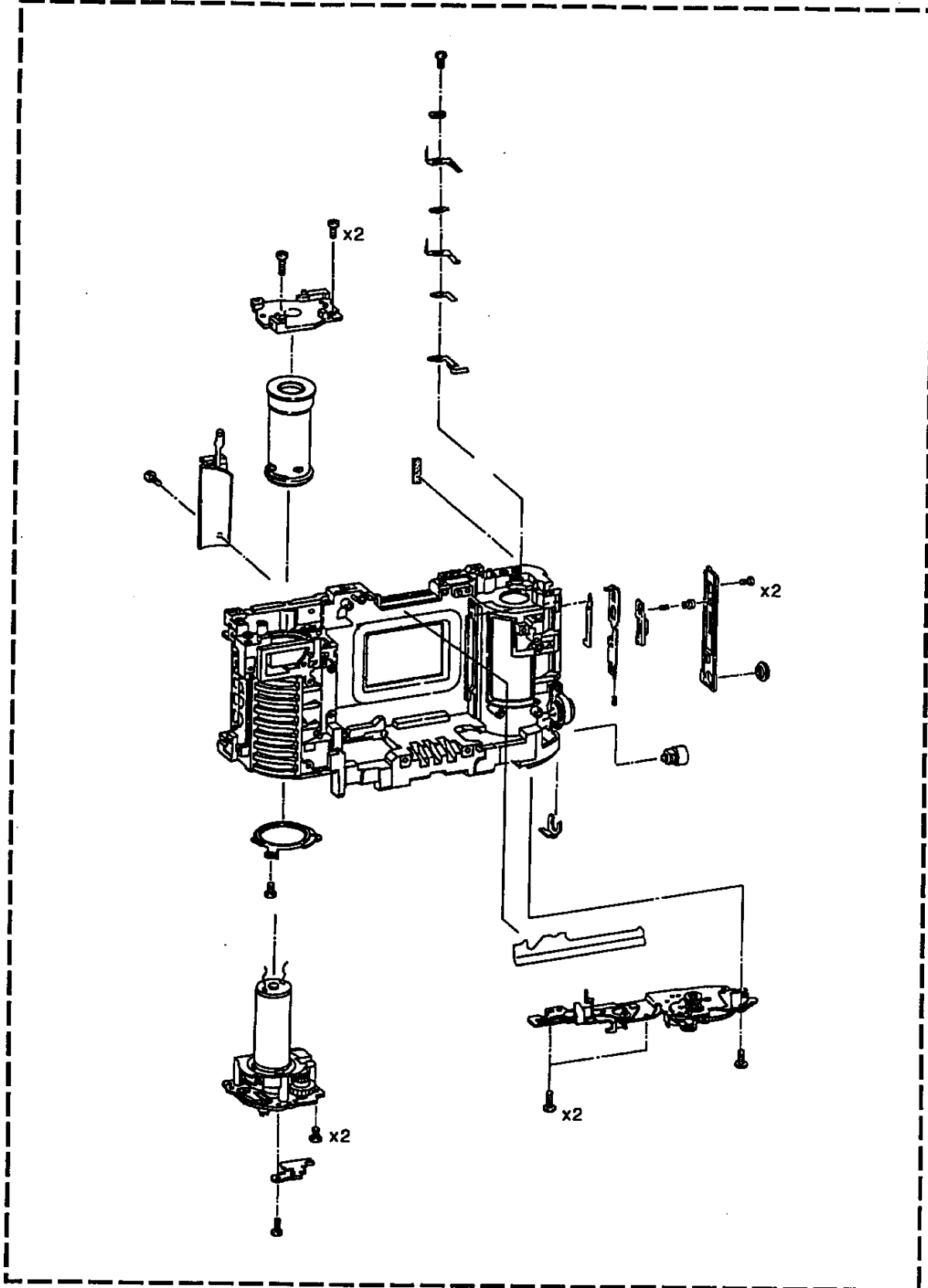
PARTS LIST

REF.No.C12-8361

NEW	PARTS NO.	CLASS	QTY	DESCRIPTION
	CG1-3333-000	C	1	SHUTTER UNIT
	CY3-1064-000	E	1	SHUTTER 1ST CURTAIN ASSY
	CY3-1065-000	E	1	SHUTTER 2ND CURTAIN ASSY

CANON EOS3

CY3-1047

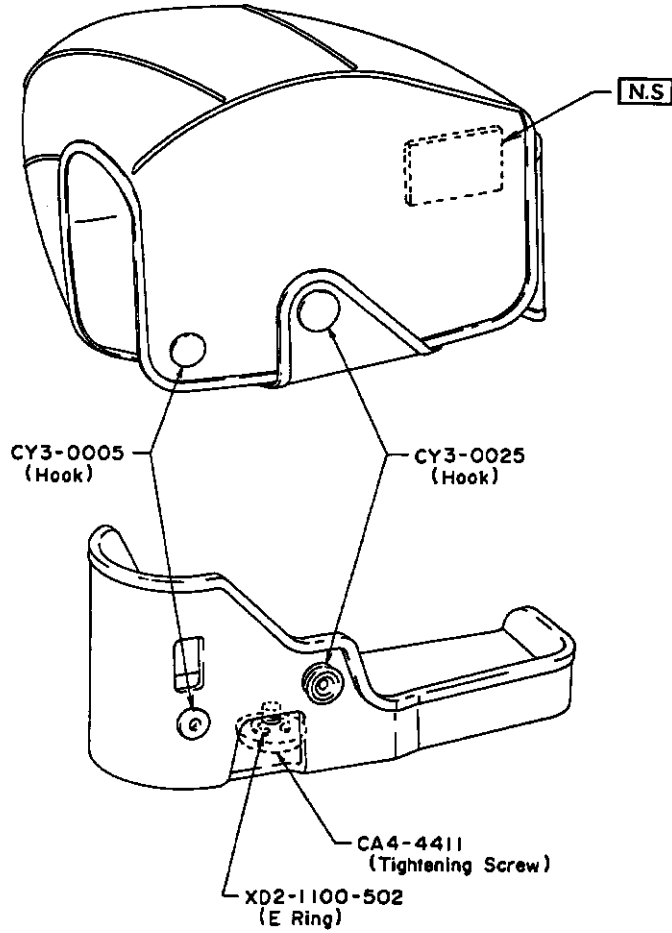


PARTS LIST

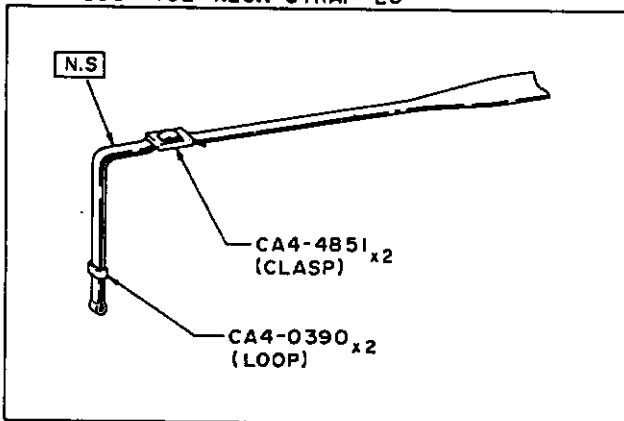
REF.No.C12-8361

NEW	PARTS NO.	CLASS	QTY	DESCRIPTION
	CY3-1047-000	E	1	BODY UNIT

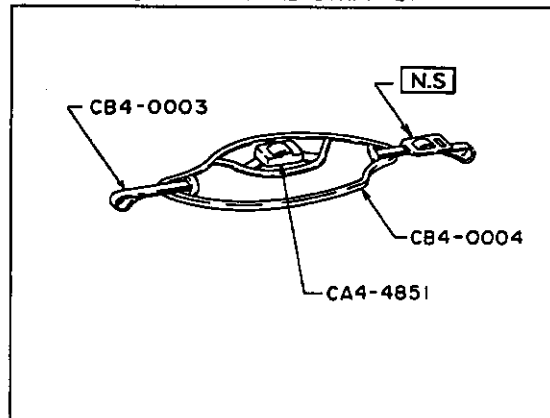
CANON SEMI HARD CASE EH11-L
EH11-LL



C56-1462 NECK STRAP L3



C56-1441 HAND STRAP E1



PARTS LIST

REF.No.C46-2021(L),22(LL)

C56-1462,41

NEW	PARTS NO.	CLASS	QTY	DESCRIPTION
	CA4-0390-000	D	2	LOOP
	CA4-4411-000	D	1	TIGHTENING SCREW
	CA4-4851-000	E	3	CLASP
	CB4-0003-000	E	1	STRAP, HAND
	CB4-0004-000	E	1	PAD, SHOULDER
	CY3-0005-000	D	1	HOOK
	CY3-0025-000	D	1	HOOK
	XD2-1100-502		1	RETAINING RING(E-TYPE)